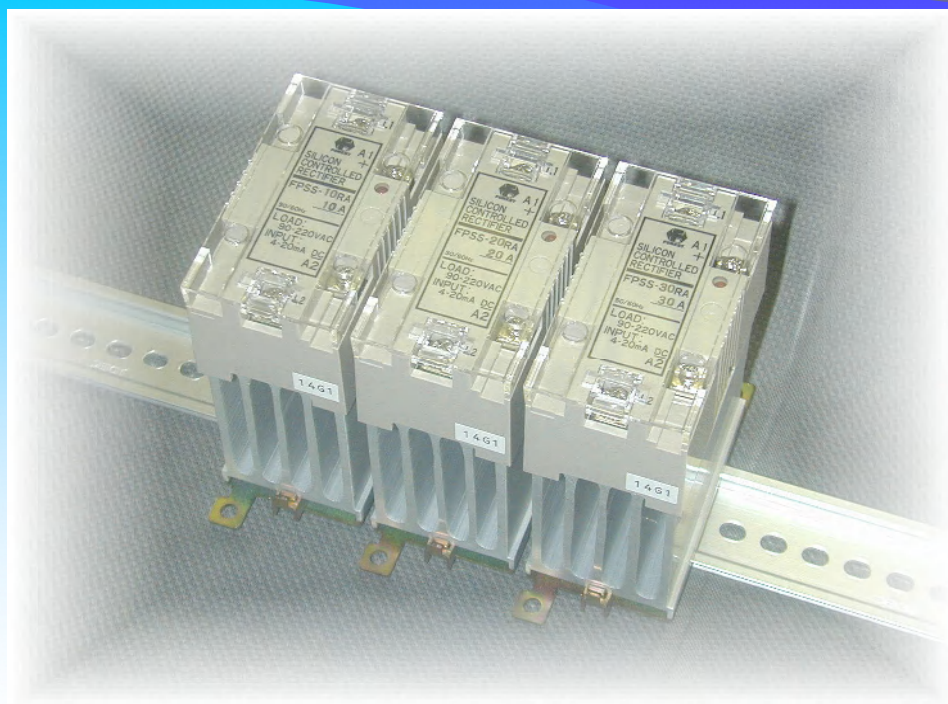


DIN Rail-mounted type

Phase control system

Single-phase Power Controller

FPSS series



Forest Co., Ltd.

■Features

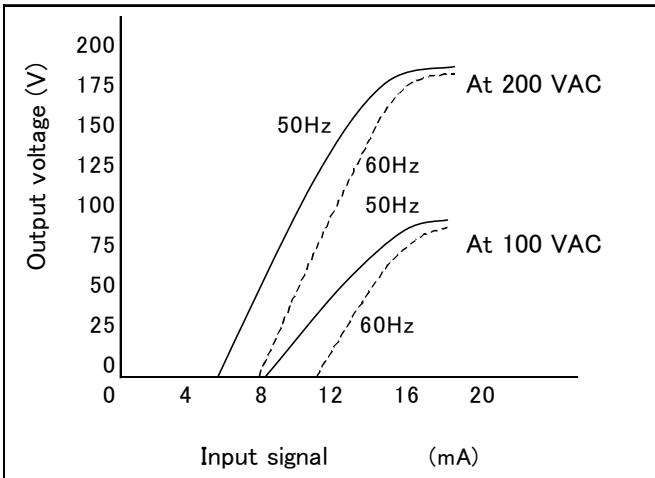
- Phase control is enabled in a compact and lightweight.
- I can plan the reduction of device for low price in comparison with a general thyristor electricity adjuster.
- It can be used to connect only the input signal line from the controller and load.
I do not submit trouble to wiring work.

■Specifications

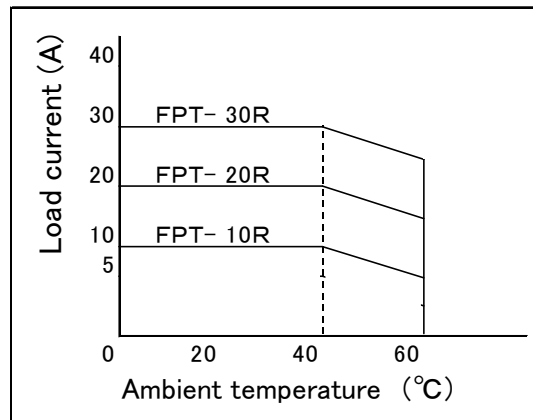
Max. load current	10A, 20A, 30A,
Control system	Phase control
Applicable load	Linear (R) load
Input signals	4~20mA DC
Input impedance	420Ω (with 20-mA input) * Built-in constant voltage circuit : 5V
Load voltage	AC100~200V
Permissible voltage fluctuation	Within ±10% of the rated load voltage
Leak current	5 mA or less (at 200 VAC)
Insulation system	Photo-triac or photo-coupler
Insulation resistance	Over 100 MΩ (500-VDC megger)
Insulation withstand voltage	1500 VAC for one minute
Permissible ambient temperature range	0°C to +40°C (If the ambient temperature exceeds 40°C, see the load current characteristic diagram.)
Permissible ambient humidity range	90%RH or less (without bedewing)
Environmental conditions	No exposure to corrosive/inflammable gases, dust or vibration
Cooling system	Self-cooling by radiator fins
Installation	DIN rail-mounted or wall-mounted

- Notes:
1. Use this product for temperature control exclusively in consideration of its input/output characteristics.
 2. This product cannot be equipped to heaters with special characteristics such as Kanthal Super and Siliconit heaters.
 3. Use this product in one-to-one combination with a temperature controller.

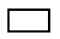
■Input/Output characteristics



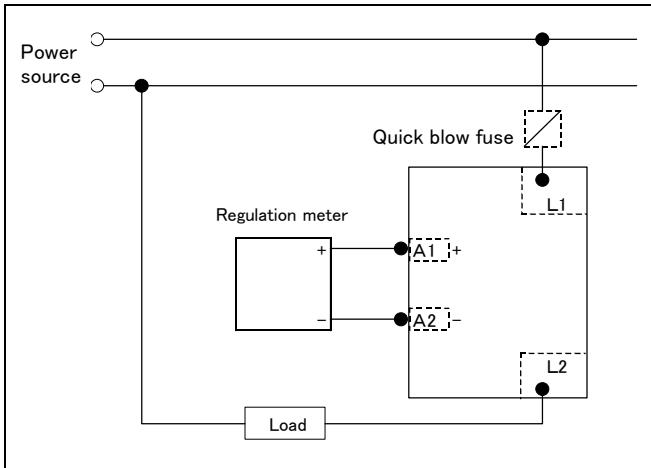
■Ambient Temperature characteristics



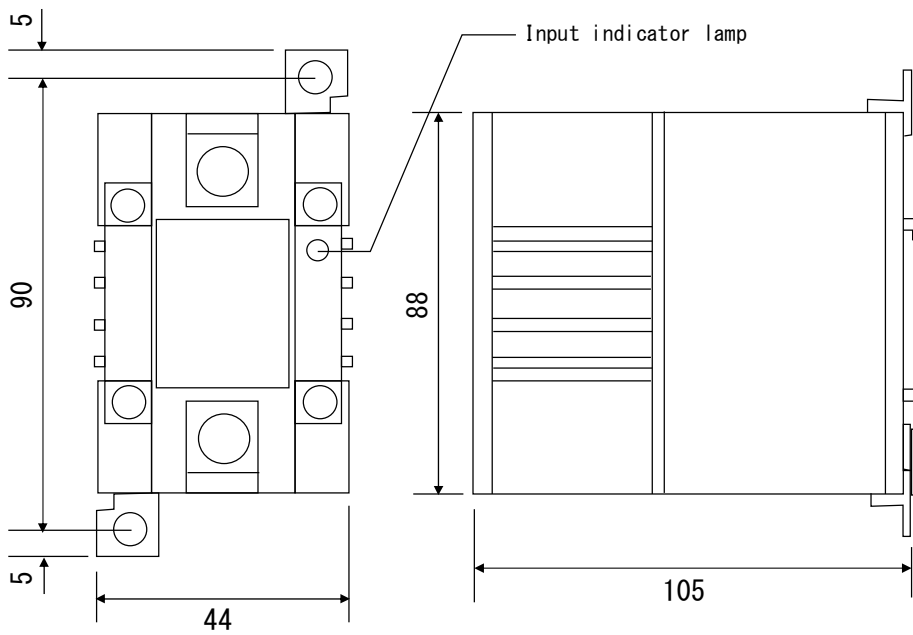
■Description of Type Code

Spec	Spec. Code				
	FPSS	-		R	A
Rated current	Max. load current	10A 20A 30A	10 20 30		
Integral with radiator fins	With radiator fins			R	
Input signals	DC 4~20mA				A

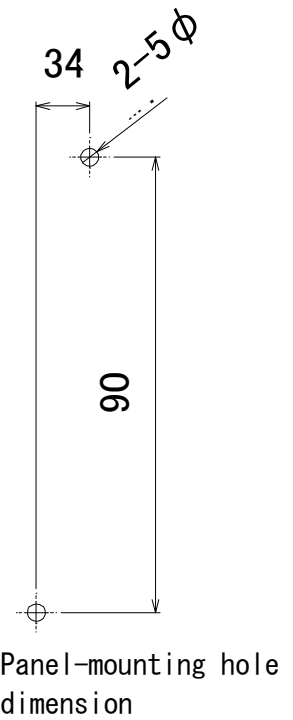
■External Connection Diagram



■Dimensional Outline Drawing



(Unit: mm)



Panel-mounting hole dimension

Business line

Automatic temperature control meter

Various temperature detection edges

Direct-current ampere-hour meter

Direct-current ampere-hour meter by microcomputer control

Thyristor power controller

Heater disconnection alarm

In addition, electronic application apparatus



ISO 9001

JQA-2389

Forest Co., Ltd.

Head Office

Shimouma 4-14-15, Setagaya-ku, Tokyo 154-0002, Japan

Telephone : +81 3 3421 5141

Fax : +81 3 3421 5145

Yamanashi Fuji Plant

Shibokusa, Oshino-mura, Minami-Tsuru, Yamanashi

401-0511, Japan

Telephone : +81 555 84 2503

Fax : +81 555 84 3157

homepage <http://www.forest-ele.co.jp/>

Caution in using	<ul style="list-style-type: none">● Since this product is not manufactured for the applications stipulated in the Export Trade Control Ordinance, it cannot be used for the purpose of weapons of mass destruction.● The final application and final customer must be checked so that it will not be used for weapons of mass destruction (military application, military equipment). Due attention must also be paid to the re-sale so that it will not be illegally exported.
-----------------------------	--